

Paper Bank PS470

(Code: G569)

For Machine Code: G060 / G080 / G082 INSTALLATION GUIDE

⚠ Caution

- Before installing options, the machine should be turned off and unplugged for at least thirty minutes. Components inside the machine become very hot, and could result in a burn if touched.
- When lifting the machine, use the grips on both sides. The machine could break or cause injury if dropped.
- It is dangerous to handle the plug with wet hands. Doing this may result in receiving an electric shock.
- Before moving the machine, unplug the power cord from the outlet. If the cord is unplugged abruptly, it could become damaged. Damaged plugs or cords can cause an electrical or fire hazard.
- When moving the machine, each person should hold a handle, located on two sides of the printer, and then lift slowly. Lifting carelessly or dropping it may cause injury.
- When moving the paper feed unit, hold the bottom of both sides, and then lift slowly. Lifting carelessly or dropping it may cause injury.

🔴 Important

- Check the printer nameplate to confirm the model code.
- If you want to use the optional duplex unit, 2 tray finisher and 4-bin mailbox at the same time, install the optional paper feed unit first, and then install these options.
- If you have already installed the optional duplex unit, 2 tray finisher and 4-bin mailbox, remove all these options before installing the optional paper feed unit.
- Before installation, check the orientation of the 2000-sheet Large Capacity Tray you want to place.
- When installing multiple options, install the Large Capacity Tray first.
- Four people are needed to install the Large Capacity Tray. Start the installation work after all four people are ready.

📝 Note

- The printer weighs approximately 85kg (187lbs).
- The 2000-sheet Large Capacity Tray weighs approximately 25kg (55.2lbs).

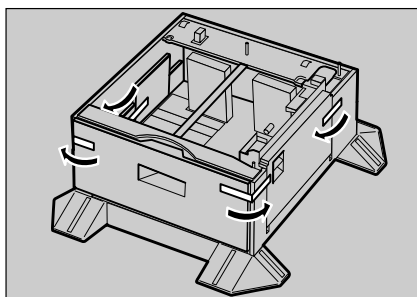
1 Check the contents of the box for the following items:

Description	Qty
Large Capacity Tray	1
Installation Guide(This sheet)	1

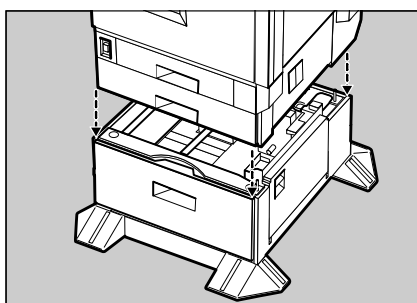
2 Be sure to check the following points:

- The power is turned off.
- The power cord is unplugged from the wall outlet.
- The interface cable is unplugged from the printer.

3 Remove the adhesive tape.

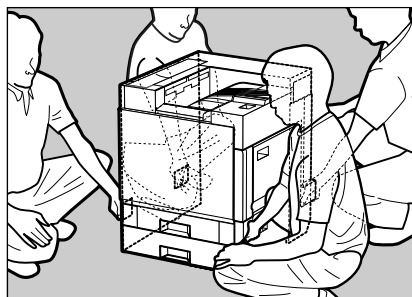


4 Adjust the four corners of the printer to those of the 2000-sheet Large Capacity Tray, and then slowly lower the printer into place.

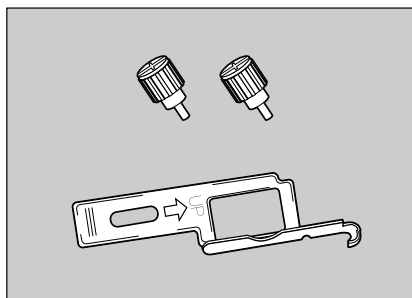


🔴 Important

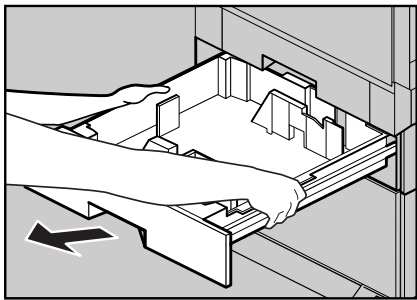
- Four people should hold the handles, located on two sides of the printer, to move it.



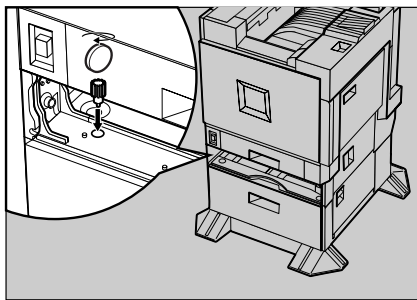
5 Take out the packaged items, making sure there are two thumb screws and one mounting bracket. Close the tray of the 2000-sheet Large Capacity Tray firmly.



6 Slowly pull out Tray 2 while lifting up a little.

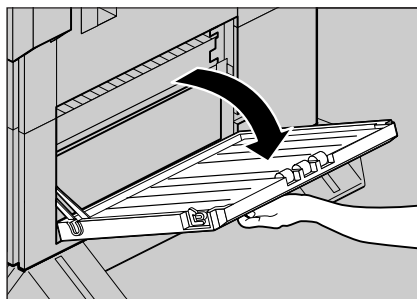


7 Fasten one thumb screw. A coin can be used to fasten the screws.

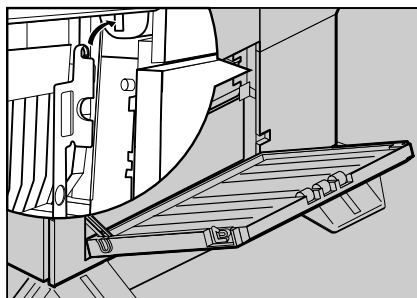


8 Slowly slide Tray 2 back into the printer, until it stops.

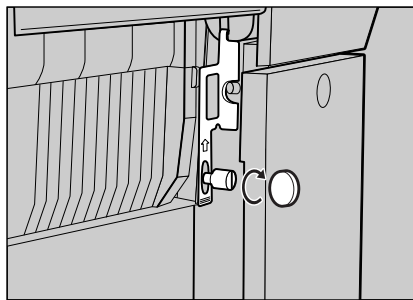
9 Open the right cover of the 2000-sheet Large Capacity Tray.



10 Hook the mounting bracket to the hole, as shown.

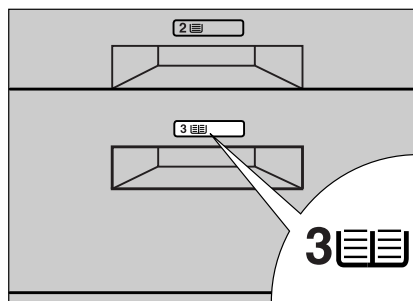


11 Fasten the bracket with the other thumb screw. A coin can be used to fasten the screws.



12 Close the right cover of the 2000-sheet Large Capacity Tray.

13 Stick label "3" above the handle on the front of the 2000-sheet Large Capacity Tray.



Note

- After finishing the installation, you can check the 2000-sheet Large Capacity Tray is installed properly: Print the configuration page from the "List/Test Print" menu. If it is installed properly, you will see "LCT Tandem Bank" appear under the "Options" list. (G060, G080)
- After finishing the installation, you can check the 2000-sheet Large Capacity Tray is installed properly: Print the configuration page from the "Print Menu" menu. If it is installed properly, you will see "LCT" appear under the "Paper Tray Information" list. (G082)
- If the paper feed unit is not installed properly, repeat the procedure from step 1. If you cannot install it properly even after reinstallation, contact your sales or service representative.